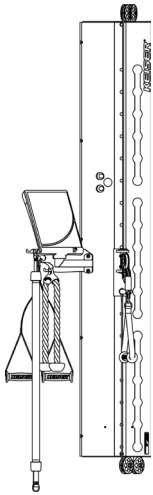


INSTALLATION PROCEDURE FOR PT ACCESSORY HOOKS

READ ALL INSTRUCTIONS PRIOR TO INSTALLATION



- PT ACCESSORY HOOKS KIT (PN: 300842) INCLUDES:
- Front Accessory Hook (qty 1)
 - Back Accessory Hook (qty 1)
 - 5/16"-18x7/8 Button Head Cap Screw

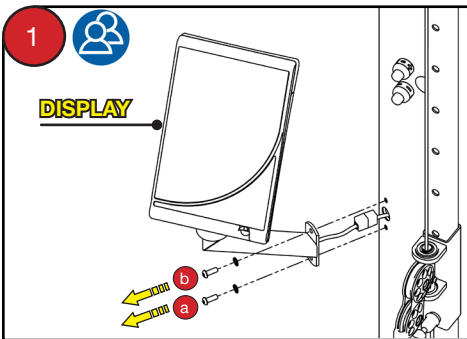
- TOOLS AND MATERIALS REQUIRED:
- Safety Glasses
 - 3/16" Allen Wrench



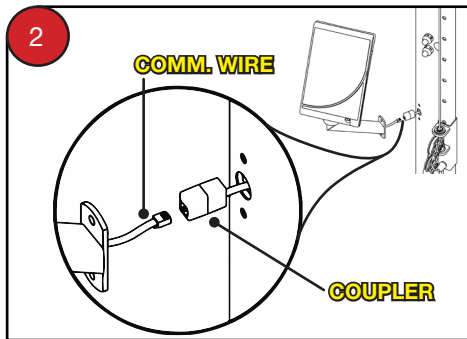
WARNING: Avoid tilting/swinging Display Mount during installation procedure to prevent damage to Display and/or Communication Wire.



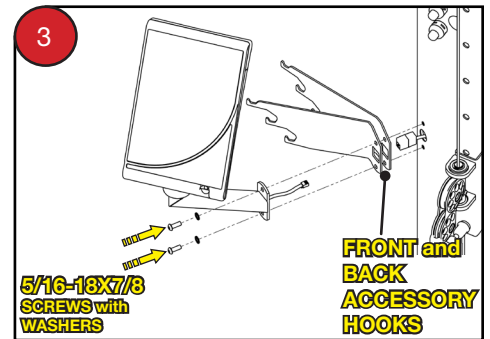
NOTE: 2-person procedure. Help recommended to successfully complete installation.



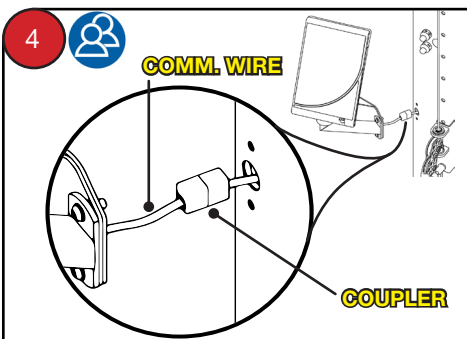
- a) Remove bottom 5/16" screw and washer first using a 3/16" Allen Wrench.
 b) Have someone support the Display, then **Carefully** remove top screw and washer.



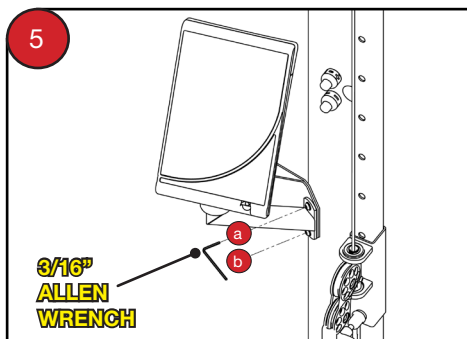
- Disconnect the Comm. Wire that leads from the Display. Leave the Coupler connected to the Comm. Wire leading from the machine.



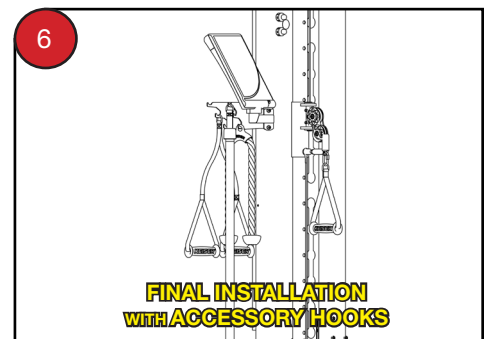
- Route the Comm. Wire through the port hole of the Accessory Hooks. Align all screw holes and set two (2) 5/16"-18x7/8 Screw with Washer from the original screws through screw holes.



- With someone supporting the Display and Accessory Hooks assembly, reconnect the Comm. Wire from the Display Mount to the Coupler.



- a) Start a 5/16"-18x7/8 Screw with Washer at the top hole with a 3/16" Allen Wrench until thread engages into machine.
 b) Repeat step for bottom Screw and Washer. Tighten both screws until fully seated.



- Check to ensure all Washers and Screws are fully seated and that there is no movement of the Display Mount and/or Accessory Hooks before operating the machine.



TOLL FREE 1.800.888.7009 - PHONE 559.256.8000
 FAX 559.256.8100 - www.keiser.com
 E-mail: service@keiser.com